

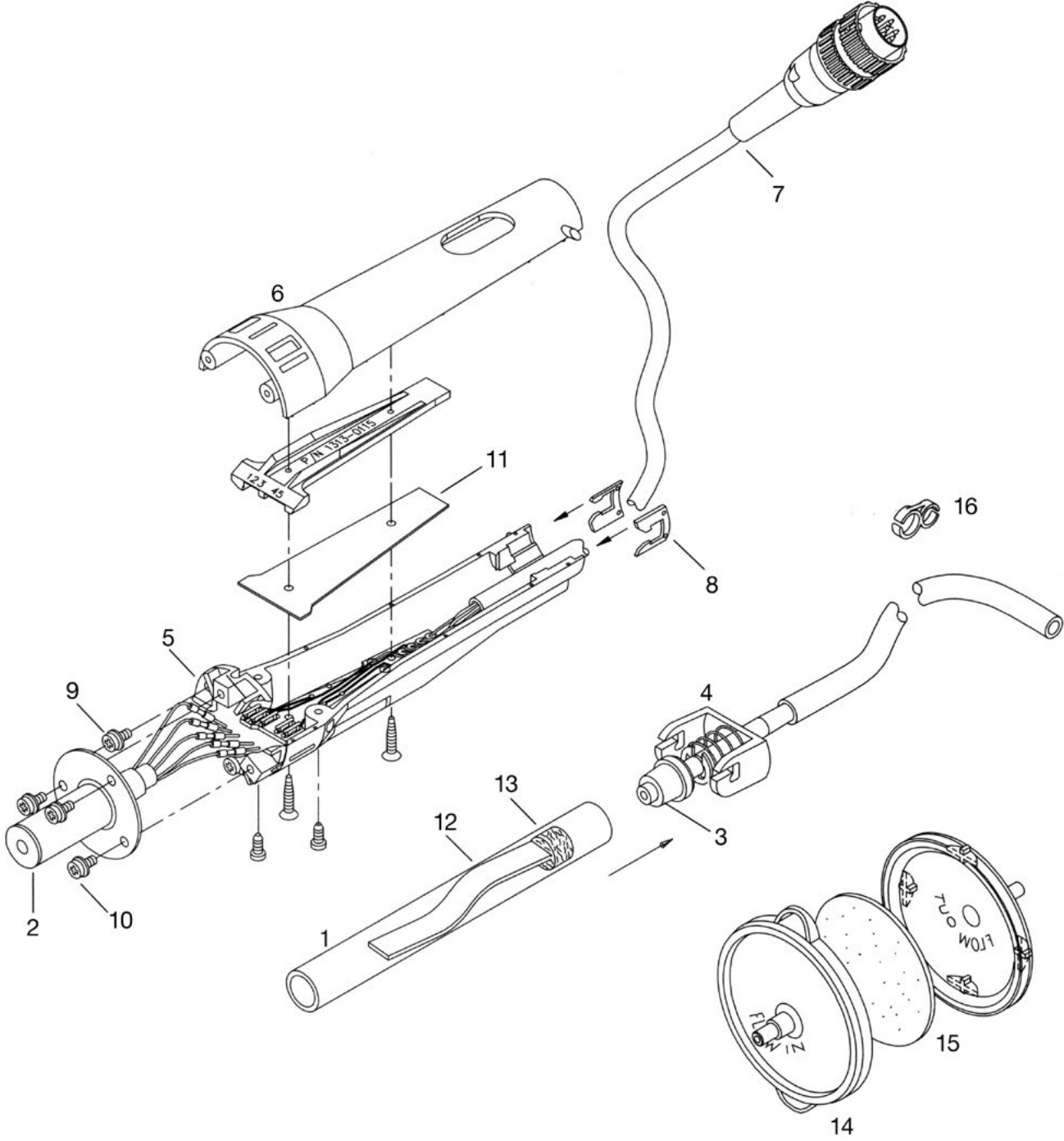
SX-70 Handpiece

SX-70 Replacement Parts Diagram



SX-70 parts Diagram

See page 9 for the description of parts



SX-70 Handpiece

SX-70 Replacement Parts



Item	Description	Part Number*
	SX-70 Handpiece	6010-0077-P1
	SX-70 Kit	6993-0227-P1
1	Glass Chamber	1265-0009-P1
	Silicone Chamber	1265-0010-P1
2	SX-70 Heater and Seal Assembly	6010-0080-P1
	Front Seal, Heater	1213-0033-P1
3	Rear Seal	1213-0001-P1
4	Rear Seal Retainer Assembly	4010-0106-P1
5	Heat Dissipator	1360-0005-P1
6	Replacement Handle Kit (SX, TP, TJ) (includes Top/Bottom Plates, Heat Dissipator, and Hardware)	6993-0140-P1
	Replacement Hardware Kit (SX, TP, TJ) (includes Screws and Handle Clips)	6993-0189-P1
7	Switch and Cord Assembly (SX-70 only)	4010-0098-P1
8	Handle Clips	1209-0006-P5
	Replacement Button	1119-0119-P1
9	Dissipator Mounting Screws (mounts dissipator to handle)	1405-0534-P3
10	Heater Mounting Screws	1405-0395-P3
11	Solder Shield (comes with the purchase of any Heater Assembly)	1213-0072-P10
12	"S" Baffle	4010-0033-P1
13	Sodr-X-Tractor Filter	
	Package of 10	1309-0018-P10
	Package of 50	1309-0018-P50
	VisiFilter, Fixed	1309-0020-P1
14	VisiFilter, Replaceable	1309-0028-P1
15	Replaceable VisiFilter Elements	
	Package of 10	1309-0027-P10
	Package of 25	1309-0027-P25
	Package of 50	1309-0027-P50
	Tubing, Length 1370mm (54"), BLACK	1342-0015-08-P1
16	Black Hose Clamps	1321-0085-01-P6
	Hose Fitting, Female (Quick Disconnect)	1259-0086-P1
	Hose Fitting, Male (Quick Disconnect)	1259-0087-P1
	Tubing, Length (2") Translucent	1342-0001-01-P1
	Gender Bender Adaptor (Allows SensaTemp Handpieces to be used on IntelliHeat power sources)	6993-0278-P1
	SX Tool Stand	6019-0082-P1
	Tip Tool	1100-0206-P1

*Endura tips can only be used for SX-70, SX-80 and SX-100/SX-90 with date code prior to 10/06.