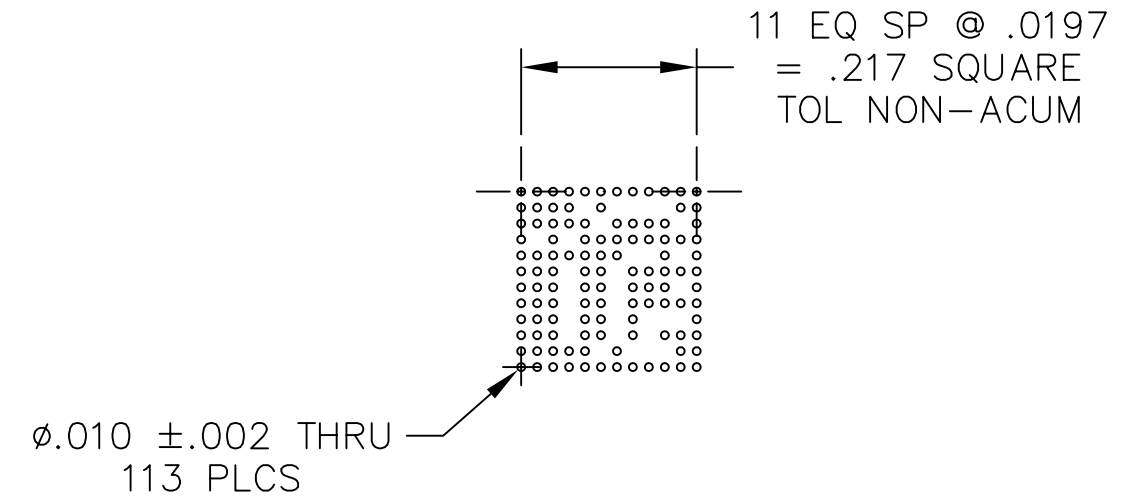
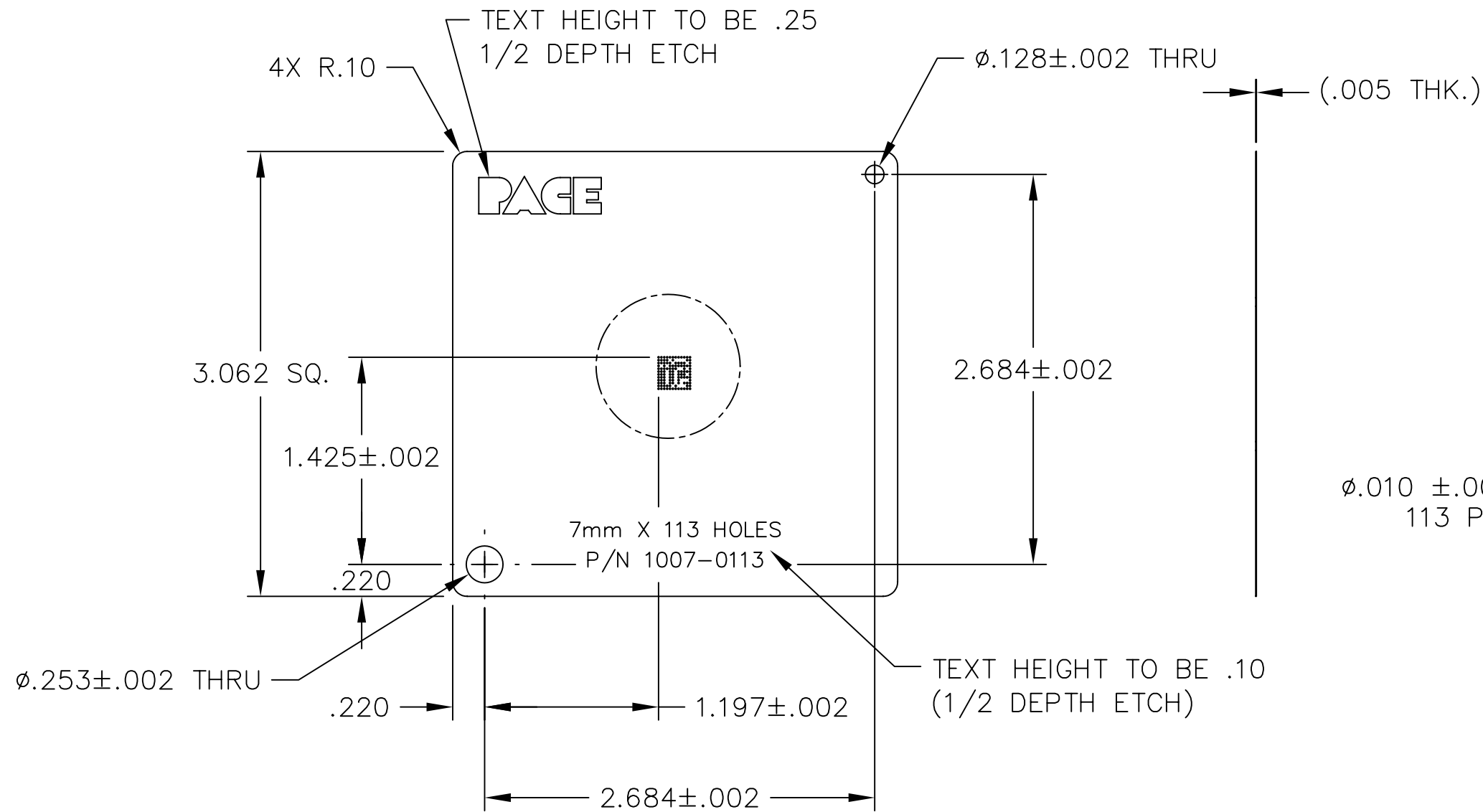


DWG NO.  
B 1007-0113

B

REVISIONS

LEVEL	ECN NUMBER DESCRIPTION OF CHANGE	RELEASE APPROVAL INITIAL/DATE
B	EC 5885	06/12/03



DETAIL "A"  
SCALE: 4/1

- NOTES:
1. MATERIAL: .005 THK, STAINLESS STEEL, HALF HARD, TYPE 304.
  2. TRAPEZOIDAL ETCH AND ELECTROPOLISHING REQUIRED. HOLE DIMENSION ON SIDE SHOWN TO BE NOMINALLY .002±.001 LESS THAN DIAMETER SHOWN ON FIELD OF DRAWING.

THIS DRAWING CONTAINS INFORMATION PROPRIETARY TO PACE INC., ANY REPRODUCTION, DISCLOSURE OR USE OF THIS DRAWING IS EXPRESSLY PROHIBITED EXCEPT AS PACE INC. MAY OTHERWISE AGREE IN WRITING.



PACE Incorporated  
9030 Junction Drive  
Annapolis Junction, MD 20701, USA  
TEL 301-490-9860 FAX 301-604-2160  
Systems for Development, Production and Repair of Electronic Assemblies

UNLESS OTHERWISE SPECIFIED  
DIMENSIONS ARE IN INCHES  
DO NOT SCALE

TOLERANCES		
2 PLACE	3 PLACE	ANGLES
± .01	± .005	± .5°

MATERIAL  
SEE NOTE 1

FINISH  
NONE

STENCIL  
7mm X 113

F.S.C.M NO.  
17794

DWG. NO.  
1007-0113

SCALE 1/1

SK -

SHEET 1 OF 1